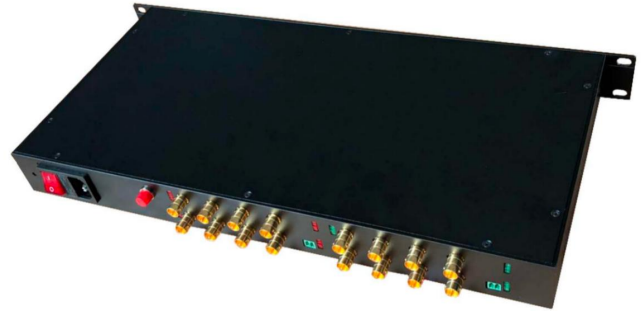


## 16Ch 3G-SDI CWDM over 1 Fiber Optical Extenders

### Features

- 16 channel HD-SDI video transmission over optic fiber
- Automatic cable equalization to ensure signal integrity
- Automatic reclocking 270Mbit/s - 1.48Gbit/s - 3Gbit/s
- Directly compatible with 3G-SDI camera systems
- Long transmission capability at 20 km on 1 optical fiber
- Terminal block power input for industrial application
- Supports hot swapping and hot plugging
- Full digital non-compression broadcast level transmission;
- super optic dynamic range and free of adjustment prior to use;
- surface coating technique;
- CWDM Mux/Demux technique;
- industry level ultra-broad temperature range (-40°C~+85°C), adaptable to various environments;
- Dimensions (LxWxH) 19inch 1U Rack (483 x 220 x 44.45mm )



### Description

Pro-optics 16-channel 3G-SDI standard high-definition video signal transmitted via single fiber optical cable. Pro-Optics 3G-SDI Video over Fiber Converters includes one transmitter and one receiver for 4K 3G-SDI signal. Pro-optics 3G-SDI Fiber Converters can simultaneously transmit 16-Ch 3G-SDI Video signal through a single optical fiber for 20km range.

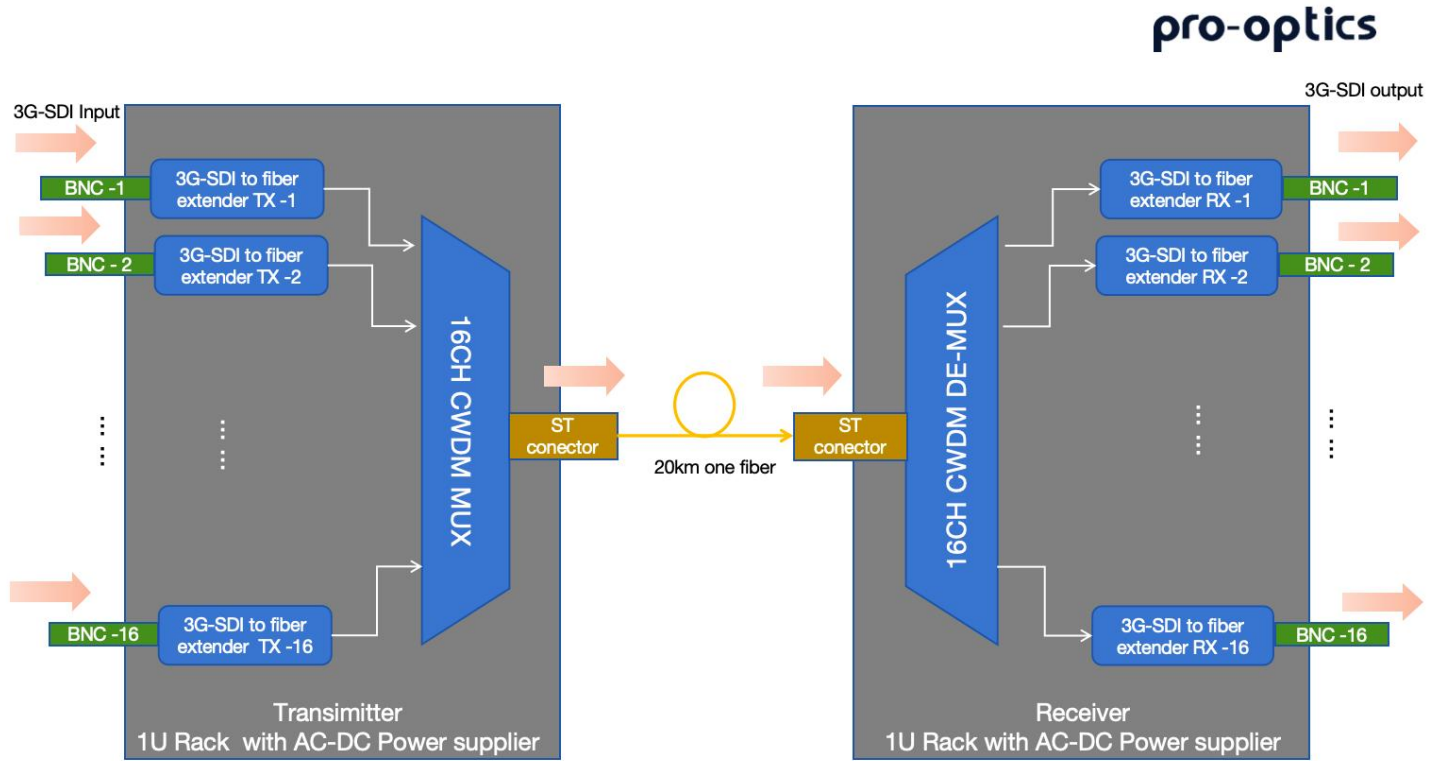
### Ordering information

Part Number	Product Description
PO3G16CHTX20	16 channels 3G-SDI CWDM over 1 fiber optical extender Transmitter, and AC-DC Power adapter, 20km, 19inch 1U Rack (483 x 220 x 44.45mm )
PO3G16CHRX30	16 channels 3G-SDI CWDM over 1 fiber optical extender Receiver, and AC-DC Power adapter, 20km, 19inch 1U Rack (483 x 220 x 44.45mm )

## Product parameters

<b>SDI Input</b>	SMPTE 424M, SMPTE 292M, SMPTE 259M
	270Mbit/s - 1.48Gbit/s – 3Gbit/s
	Input number: 4
	Reflection loss: >15DB
	Equilibrium: 0-150m @3Gb/s Copper Cable
	Connector: 16x BNC
<b>Optics</b>	Channel: 1
	Type: single-mode, single optical fiber
	Transmission distance: 20km (Other distance Optional)
	Reflection loss: > 15dB
	Dithering: < 0.2UI
	Connector: FC/UPC (SC, LC, ST optional)
<b>SDI Output</b>	Output number: 16
	Signal level: 800mV nominal
	Rise/fall time: 200ps indication
	Overshoot: < 10% amplitude
	Reflection loss: >15dB
	Dithering: < 0.2UI
	Connector: 75Ω BNC
<b>Power and environmental indication</b>	Operating temperature: -10°C ~ +55°C
	Power Input: 1A@12VDC
	EMI/RFI: meet FCC Part 15 Class A, EU EMC standard
	Average time trouble-free: >100000 hours
<b>SDI video format supports</b>	625/25PAL; 525/29.97NTSC; 525/23.98NTSC; 720p50; 720p59.94; 1080P23.98/24/30/50/60; 1080i 23/24/30/50/59.94;

## Product Internal Block Diagram



For more information Please contact: [sales@pro-optics.com](mailto:sales@pro-optics.com)