

Industrial 4-Port Gigabit PoE++ 4-Port Gigabit PoE+ 2-Port 10G SFP+ 2-Port 1G/2.5G SFP L2 Managed Ethernet Switch

Overview

PO7612S-PSD360 is Industrial 4-Port Gigabit PoE++ 4-Port Gigabit PoE+ 2-Port 10G SFP+ 2-Port 1G/2.5G SFP L2 Managed Ethernet Switch.

This switch provides 8 Gigabit Ethernet RJ-45 ports, 2*10G SFP+ ports and 2*1G/2.5G SFP ports. It meets IEEE 802.3af/at/bt standard. All RJ-45 ports support Power-over-Ethernet, 1~4 ports deliver up to 90W(PoE++) power per port, 5~8 ports deliver up to 30W(PoE+) power per port. It supports PoE watchdog features, which can detect and restart the camera automatically if it's frozen. The switch supports the Q-PoE (Quick PoE) technology, which enables PoE power supply immediately upon switch startup without waiting for switch system software control. The switch supports the P-PoE (Perpetual PoE) technology, which enables PoE power supply without interruption when switch is restarting and restores network quickly.

The switch has extensive L2 management functions, such as 802.1Q VLAN, 802.1p QoS, SNMP, Fast-Ring, ERPS and PoE control. It can be easily managed via a WEB GUI (http/https), CLI (telnet/ssh/console) or SNMP.

Features and Highlights

Abundant Interfaces

- 4*10/100/1000Base-T PoE++ RJ-45 ports
- 4*10/100/1000Base-T PoE+ RJ-45 ports
- 2*1G/2.5G or 10GBase-X SFP+ ports
- 2*1G/2.5GBase-X SFP ports
- 1*RJ-45 Console port
- 1*USB 3.0 port
- 1*RS485

Industrial Design

- Working temperature:-40~75. C
- Redundant power supply
- 6kV contact discharge, 8kV air discharge ESD protection
- Fan-less metal shell design
- DIN-rail/wall mounted/desktop installation

Layer 2 Management Function

- 802.1Q VLAN
- 802.1p QoS
- SNMP
- STP/RSTP/MSTP
- Fast-Ring
- ERPS
- IGMP snooping
- DMS (Dashboard management system)



Specifications

Item	PO7612S-PSD360
Hardware Specifications	
Ethernet Ports	4*10/100/1000Base-T PoE++ RJ-45 4*10/100/1000Base-T PoE+ RJ-45 2*1G/2.5G or 10GBase-X SFP+ 2*1G/2.5GBase-X SFP
Management Ports	1*RJ-45 Console 1*Relay
Serial Port	1*RS-485 RS-485 signal: D+, D- Check bit: None, Even, Odd, Space, Mark Data bit: 5, 6, 7, 8bit Stop bit: 1, 1.5, 2bit Baud rate: 300~115200bps Load capacity: RS-485 port supports 32-point polling environment(128-point could be customized) Direction control: RS-485 adopts automatic data flow control technology
USB Port	USB3.0
Init Button	Short press to restart the switch, long press >5s to initialise the system
LED Indicators	2*Power supply indicators, 1*Alarm indicator, 2*SFP+ port indicators, 2*SFP port indicators
Cable	Cat5 or better
Dimensions (W*D*H)	163mm*110.5mm*46.5mm
Net Weight	0.82kg
Input Voltage	Support redundant power supply, Power 1 (Main): 48~57V DC, Power 2 (Backup): 48~57V DC
Power Consumption	≤370W(Full load, include PoE)
Installation	DIN-rail/Desktop/Wall mounted
Material	Metal shell
Switch Property	
Forwarding Modes	Store and Forward
Switching Capacity	66Gbps/non-blocking
Packet Forwarding Rate	49.1Mpps
MAC Table	16k, supported auto learning
Port Buffer	1Mbit
Jumbo Frame	9kB
PoE	
PoE Power Supply Type	End-span
PoE Standard	IEEE 802.3af/at/bt
PoE Pin Assignment	1~4 ports: 3/6/4/5(+), 1/2/7/8(-); 5~8 ports: 1/2(+), 3/6(-)
PoE Budget	1~4 ports: 90W max for each port, 5~8 ports: 30W max for each port, 360W max for whole switch
Environments	
Surge protection	IEC61000-4-5, Power: 4kV, Data Port: 6kV
ESD	IEC61000-4-2, Level 3: Contact Discharge: 6kV, Air Discharge: 8kV
Operating	Temperature: -40. C~75. C Relative Humidity: 5%~95% (Non-condensation)
Storage	Temperature: -40. C~85. C Relative Humidity: 5%~95% (Non-condensation)

Software Architecture

Item	
System State	
System Status	• Device Name
	• MAC Address
	• Firmware Version
	• Hardware Version
	• System Time
	• Update Time
Traffic Statistics	• Port No
	• Sent Frame Statistics
	• Received Frame Statistics
MAC Address Table	• Sort Type
	• MAC Address
	• VLAN ID
	• Port
	• Address Type
Port Configuration	
Port Setting	• Port State
	• Port Speed
	• Duplex Mode
	• Flow Control
Rate Limit	• Port Range
	• Enable and Disable
	• Input Speed Limit
	• OPOut Speed Limit
Storm Control	• Port Range
	• Broadcast Storm
	• Multicast Storm
	• Unknown Unicast Storm
Port Isolation	• Port Range
	• Port Isolation
LLDP Configuration	• Enable and Disable
	• Holdtime
	• Interval Time
	• Admin Status
	• Port Range
LLDP Neighbors	• total entries displayed
	• Device
	• Mac Address
	• IPv4 Address
	• Local-port
	• Holdtime
	• Port-ID
	• Capability
Mac Limit	• Enable and Disable
	• Port Range
	• Mac Limit Num
PoE Setting	• Power setting
	• Power status
	• Port status and control
Ethernet Switch	
Link Aggregation	• Aggregated Load Pattern
	• Trunk Name
	• Aggregation Pattern
	• Port Range
802.1Q VLAN	• Port Range
	• Link Type
	• PVID
	• vlan-allowed
802.1p QoS	• Enable and Disable
	• QoS Scheduling
	• Priority
DSCP QoS	• Enable and Disable
	• DSCP Mark Range
	• DSCP Priority
WRR Configuration	• bandwidth weights
IP Service	
DHCP Server	• Enable and Disable
	• Client Lease Time
	• DNS Address
	• WINS Server
	• Pool Name
	• Network Interface(VID)
	• Gateway/Subnet
	• Start IP Address
• Max Client Number	
IP Multicast	
IGMP Snooping	• IGMP Interception Setting
	• IGMP Query
	• Static multicast MAC address
	• VLAN ID
Security Configuration	• Port Range
	• Global Setting
802.1X Authentication	• Timing Update Authentication
	• Radius Server Setting
	• Server Port Setting
	• Port Setting
	• Port Range
Local Radius Setting	• User login
	• User password
AAA	• Radius user settings
Static Address Lock	• Authentication login
	• Enable and Disable
	• MAC Address
	• VLAN ID
MAC Dynamic Aging	• Port
	• Aging Time

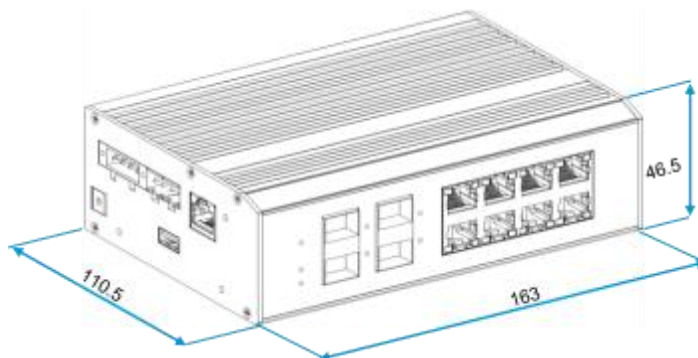
Software Architecture

Item	
Reliability	
Rapid spanning tree	<ul style="list-style-type: none"> • Enable and Disable • STP Version • Device Priority • Message Sending Period • Message Maximum Lifetime • Port State Transition Delay • This Bridge Update Message • Modify Configuration
MSTP Region Configuration	<ul style="list-style-type: none"> • Enable and Disable • Region name • Version • Hello Time • Max.Age • Forward Delay • Max. Hops
MSTP instance configuration	<ul style="list-style-type: none"> • Instance ID • Corresponding VLANs • Priority
MSTP Port Configuration	<ul style="list-style-type: none"> • Path Cost • Port Priority • Point-to-point • Admin Edge • Auto Edge • Restrict Role • Restrict TCN • BPDU Filter • BPDU Guard • Root Guard • Port Range
MSTP instance information	<ul style="list-style-type: none"> • Instance ID • MSTP Bridge Information • MSTP instance information
FastRing Protect	<ul style="list-style-type: none"> • Enable and Disable • Fast Ring Network Group 1 • Fast Ring Network Group 2
Loopback Protect	<ul style="list-style-type: none"> • Enable and Disable • Protect Automatic Recovery • Disable Loop Port Time • Port Range • Port Loop Detection
ERPS Ring	<ul style="list-style-type: none"> • Ring Number • East Interface • West Interface
ERPS Instance	<ul style="list-style-type: none"> • Enable and Disable • Name • ID • Ring Number • Level • RAPS VLAN • Owner Interface • Subring Blocking • Associated Instance
Network Diagnosis	
ICMPv4	• Ping IPv4
ICMPv6	• Ping IPv6
Traceroute	• Destination IP
Alarm Management	
Alarm Host	<ul style="list-style-type: none"> • Enable and Disable • Alarm Type • Power Supply • Port Network • Port PoE
DMS	
Device List	<ul style="list-style-type: none"> • Enable and Disable • Type in List
Topology View	• Topology View
System Management	
Port Mirroring	<ul style="list-style-type: none"> • Enable and Disable • Monitor Port • Mirror Port Range • Collect Data
SNMP	<ul style="list-style-type: none"> • Enable and Disable • SNMP Gateway • SNMP Version • Read-only Group Name • Read and Write Group Name • SNMP V3 setting
Telnet	• Enable and Disable
HTTP	• HTTP and HTTPS
Time	<ul style="list-style-type: none"> • Time Setting • World Time Zone • NTP Server • System Time • PC Time
Syslog	<ul style="list-style-type: none"> • Enable and Disable • Show Type • Information Processing
Management	<ul style="list-style-type: none"> • Restore Factory Value • System Reboot • Download Configuration File • Upload Configuration File • Choose upgrade file
User Setting	<ul style="list-style-type: none"> • Access Privilege • Username • Input password • Confirm password • Password type
Timing Restart	<ul style="list-style-type: none"> • Every day • Every week • Every month
Manage IP Address	<ul style="list-style-type: none"> • Access • Manage VLAN • IP Addr • Subnet mask • Default gateway • DNS address • IPv6 address • IPv6 default gateway
One Key Smart	<ul style="list-style-type: none"> • CCTV Mode • Device Lock • Fast Ring • Device Online

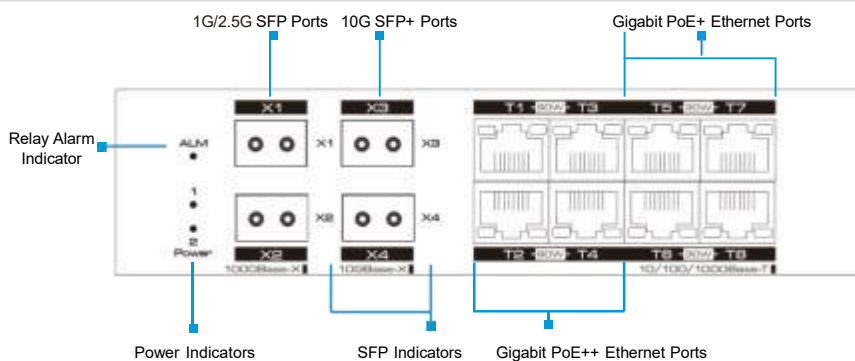
Appearances and Dimensions

PO7612S-PSD360

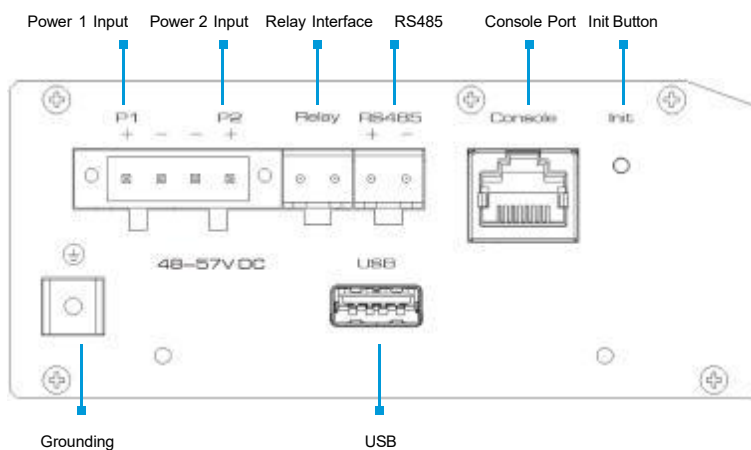
Dimensions (mm)



Front Panel



Side Panel



Packing List

Welcome to order our products. After purchasing, you will receive:

Item	Quantity
Switch	1 pc
Accessory	1 set
Quick Installation Guide	1 pc

More Information