

TAP Cassette (Duplex LC)

1. Description

LGX Cassette fiber optic tapped cassettes are a highly effective and efficient means for mission-critical data centers and networks to obtain real-time network visibility. TAP cassettes provide passive optical tapping of live networks while maintaining full integrity of the data with no link downtime. LGX

LC to LC BiDi TAP Cassette is available in multimode or Single mode with split ratio of 50/50 or 30/70. It are positioned in the Network link between two network device



2. Features:

- Supports Cisco BiDi optical technology
- 100% secure and invisible, no IP address, no Mac address, cannot be hacked
- Provides a window into your data for security or surveillance. CATV Links
- Advanced splitter technology for low insertion loss
- Ultra light, ultra-thin design provides great space savings in the network.

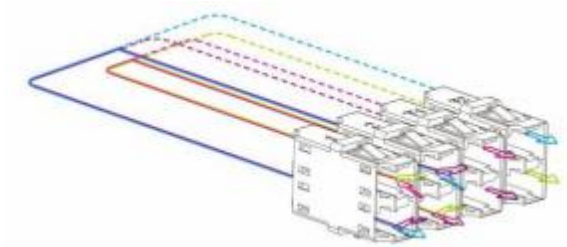
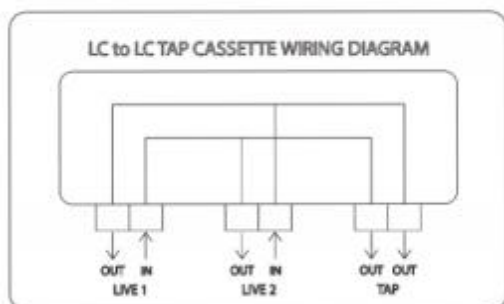
3. Compliance

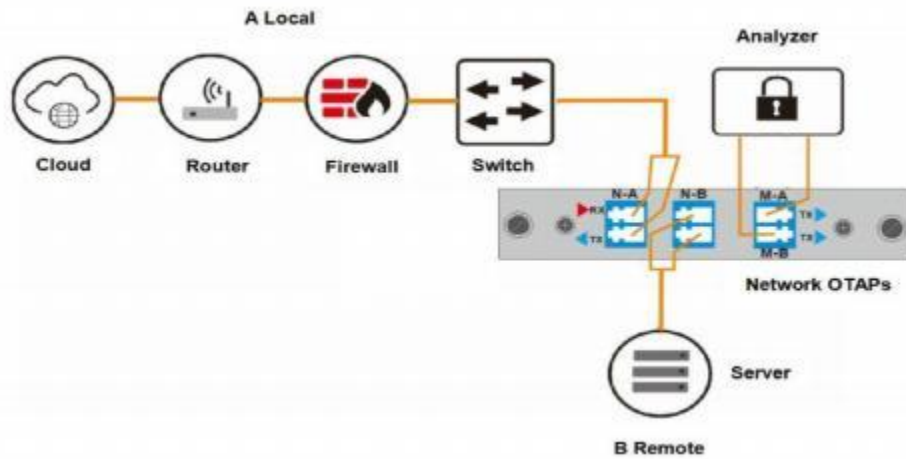
- GR-1209-CORE
- GR-1221-CORE
- RoHS

4. Specifications

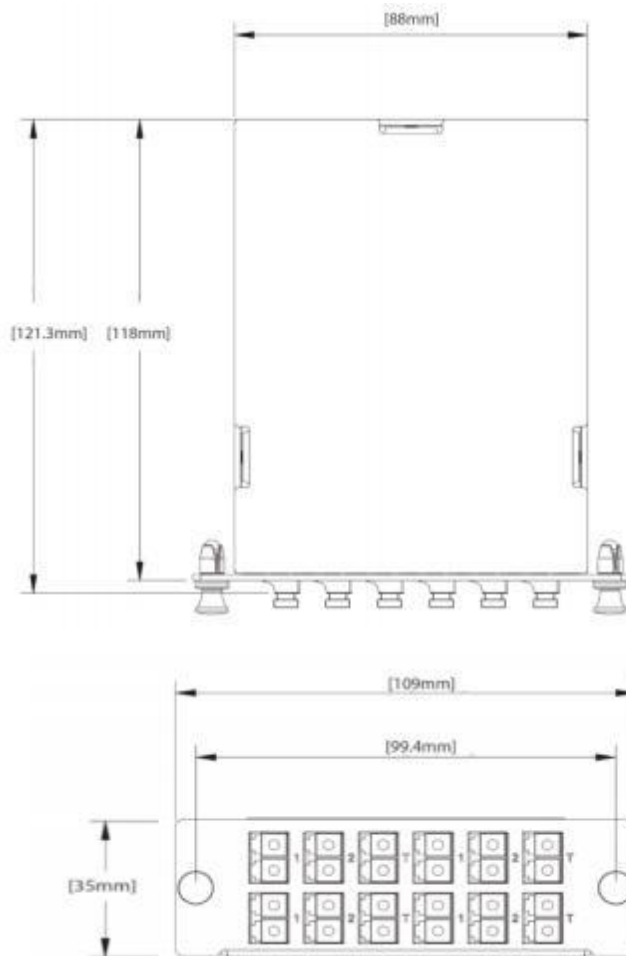
Parameters	Unit	Value	
Wavelength	nm	OS2(1310/1550±40) OM4(832~912)	
Port Number	/	Live Ports: 4 , TAP Ports: 4	
Split Ratio	/	50/50	30/70
Insertion Loss	dB	≤3.8	≤6.7/2.2
PDL	dB	≤0.2	
Return Loss	dB	≥50(OS2), ≥30(OM4)	
Operating Temperature	°C	-40~+85	
Storage Temperature	°C	-40~+85	
Fiber Type	/	Multimode: OM4 50/125μm Single mode: OS2 9/125μm	
Fiber Length	cm	100±5/0	
Connector	/	LC/UPC	
Package Dimension	mm	109*118*35	

5. Structure Diagram





6 . Package Dimension



7. Ordering information

OT AP	-	XXX	XX	XX	XX	XX	XX	X	X
		Group	Wavelength	Splitting Ratio	Modules type	Fiber Type	Fiber Length	Com connector	Port Connector
OT AP		2G=2 Group Daul	35=1310/1550	50=50/50	LGX=109 X118 X35	02=250um fiber	10=1.0m	0=None	0=None
		4G=4 Group Daul	85=832~912	30=30/70	XX= Customized	09=0.9mm Tube	XX= Customized	1=FC/UPC	1=FC/UPC
						XX= Customized		2=FC/APC	2=FC/APC
								3=SC/UPC	3=SC/UPC
								4=SC/APC	4=SC/APC
								5=LC/UPC	5=LC/UPC
								6=LC/APC	6=LC/APC
								X= Customized	X= Customized

Part Number	Product Description
OTAP-4G8550LGX0910-55	TAP Cassette (Daul-Fiber), 4Group Daul TAP Filter, Split Ratio 50/50, OM4 (832~912nm), LGX SIZE : 109*118*35mm, 12x LC UPC Duplex.
OTAP-4G8530LGX0910-55	TAP Cassette (Daul-Fiber), 4Group Daul TAP Filter , Split Ratio 30/70, OM4 (832~912nm), LGX SIZE : 109*118*35mm, 12x LC UPC Duplex.
OTAP-4G3550LGX0910-55	TAP Cassette (Daul-Fiber), 4Group Daul TAP Filter, Split Ratio 50/50, OS2 (1310/1550nm), LGX SIZE : 109*118*35mm, 12x LC UPC Duplex.
OTAP-4G3530LGX0910-55	TAP Cassette (Daul-Fiber), 4Group Daul TAP Filter , Split Ratio 30/70, OS2 (1310/1550nm), LGX SIZE : 109*118*35mm, 12x LC UPC Duplex.